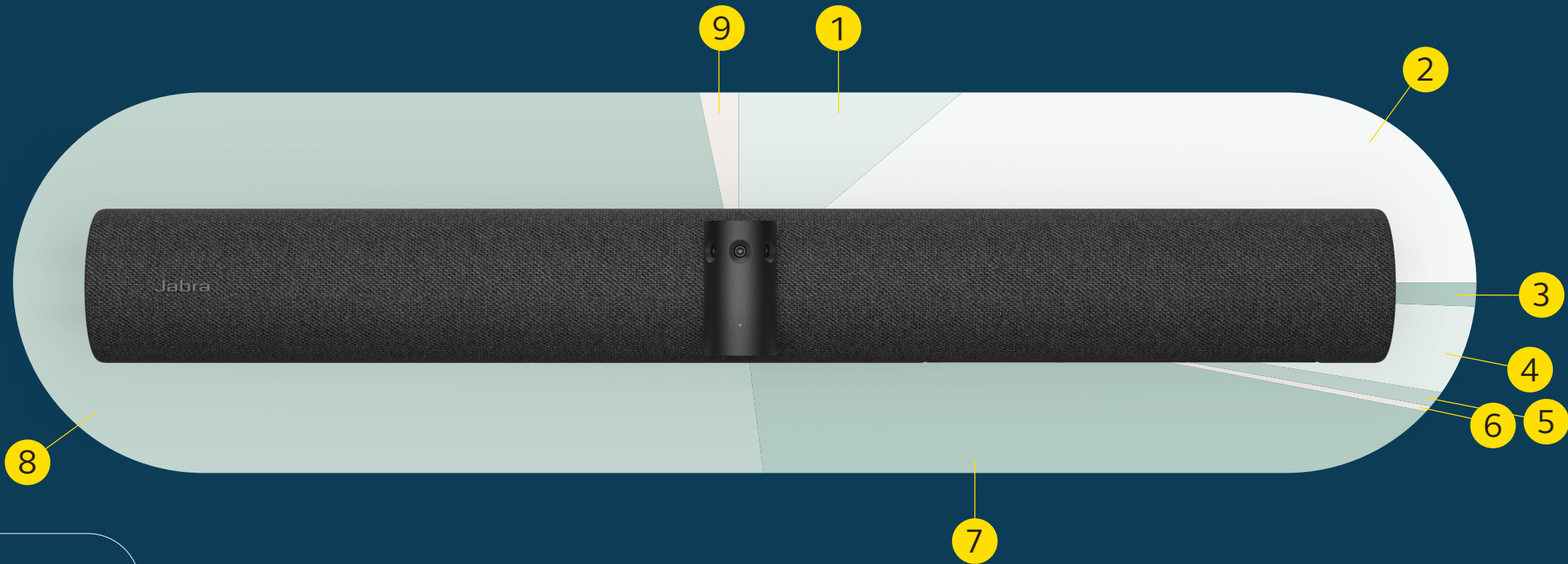


# Measuring carbon footprint through Life Cycle Assessments (LCAs)

Sustainability starts with transparency. That's why we carry out LCAs on our products, to understand their impact on the environment. So you can see the carbon footprint of your product at a glance, and we can work to make future products more sustainable. Everybody wins.



Main life cycle stages (% of total kg CO2e)

## PANACAST 50

①	Plastics	6.76kg CO2-eq	4.83%
②	Metals	27.56kg CO2-eq	19.69%
③	Electronic components	2.61kg CO2-eq	1.87%
④	Printed circuit board	10.01kg CO2-eq	7.15%

⑤	Manufacturing	1.15kg CO2-eq	0.82%
⑥	Packaging	0.54kg CO2-eq	0.39%
⑦	Transport	20.64kg CO2-eq	14.74%
⑧	Usage	69.43kg CO2-eq	49.59%
⑨	End of life	1.31kg CO2-eq	0.93%

Product carbon footprint

140.01

Bureau Veritas verified kg CO2eq



Resources



Processing



Manufacturing



Distribution



Use



End of life